

# Ferrolli

## ATLAS

Cast iron floor standing boiler,  
for central heating



- > **3 PASS FLUES**
- > **SILENT OPERATION**
- > **ROBUST CONSTRUCTION**

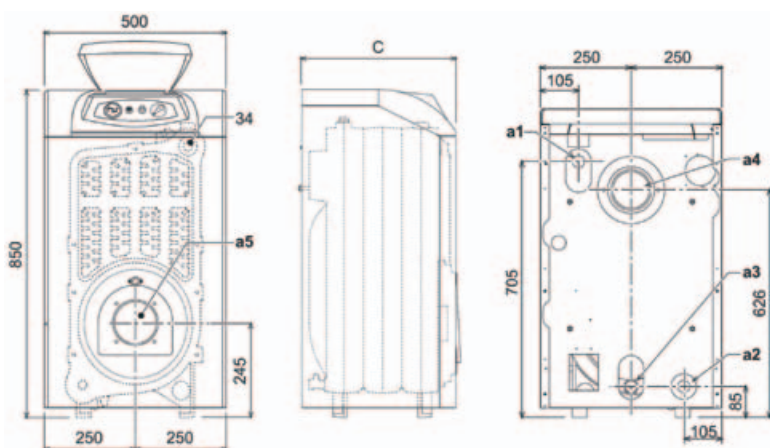
## 3 PASS-FLUES FLOOR STANDING BOILER, ONLY HEATING, FOR OIL OR GAS JET BURNER



- > Solid cast iron boiler body, fit for maximum 6 bar operating pressure, insulated with high density rockwool.
- > Silent operation, thanks to the low flues turbulence of the 3 pass - flues sections.
- > Widely copes with requirements for 2 star efficiency.
- > Control panel includes thermometer, ignition switch, safety thermostat with manual reset and temperature setting knob (Atlas 95 is equipped with double knob, for first and second stage).
- > Available complete range of one and two stage burners to be easily fitted.



Control panel of one stage version (Atlas 32-78)



**KEY**

- a1 System delivery - 1" 1/2"
- a2 System return - 1" 1/2"
- a3 Heating system drain - 1/2"
- a4 Flue connection, 120-130 mm Ø
- a5 Burner connection, 115 mm Ø
- 34 Safety and heating temperature bulb

MODEL		ATLAS 32	ATLAS 47	ATLAS 62	ATLAS 78	ATLAS 95
Q.ty of sections	n°	3	4	5	6	7
Heating capacity min - max	kW	17,0 - 34,9	34,3 - 51,6	45,8 - 67,7	59,0 - 85,6	70,8 - 103,2
Heat output min - max	kW	16 - 32	32 - 47	43 - 62	55 - 78	66 - 95
Efficiency Pmax (80 - 60°C)	%	91,7	91,1	91,5	91,1	92
Efficiency 30%	%	94,3	93,5	94,0	93,5	93,8
Efficiency class Directive 92/42 EEC		★★				
Operating pressure min - max	bar	0,8 - 6	0,8 - 6	0,8 - 6	0,8 - 6	0,8 - 6
Heating water content	l	18	23	28	33	38
Depth (C)	mm	400	500	600	700	800
Power supply voltage	V/Hz	230/50	230/50	230/50	230/50	230/50
Empty weight	kg	127	166	205	244	283
Flues pressure drop	mbar	0,2	0,27	0,4	0,4	0,63



Ferroli spa - 37047 San Bonifacio (Verona) Italy - Via Ritonda 78/A  
 tel. +39.045.6139411 - fax +39.045.6100233  
 www.ferroli.it - e-mail: export@ferroli.it

WARNING FOR TRADERS: As part of its efforts to constantly improve its range of products, with the aim of increasing the level of Customer satisfaction, the Company stresses that the appearance, dimensions, technical data and accessories may be subject to variation. Consequently, ensure that the Customer is provided with updated documents.